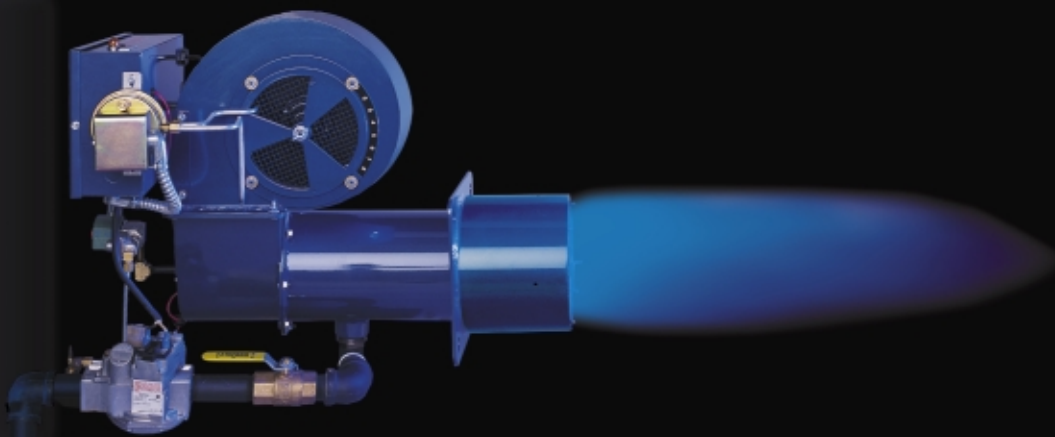


NOVA PREMIX
SUB 30 PPM
LOW NOx BURNER

GAS

400,000-
2,200,000
BTU/HR.

Power Flame Nova Premix™



Power Flame's Premixed, Non FGR Low NOx Combustion Burner The Power of Choice

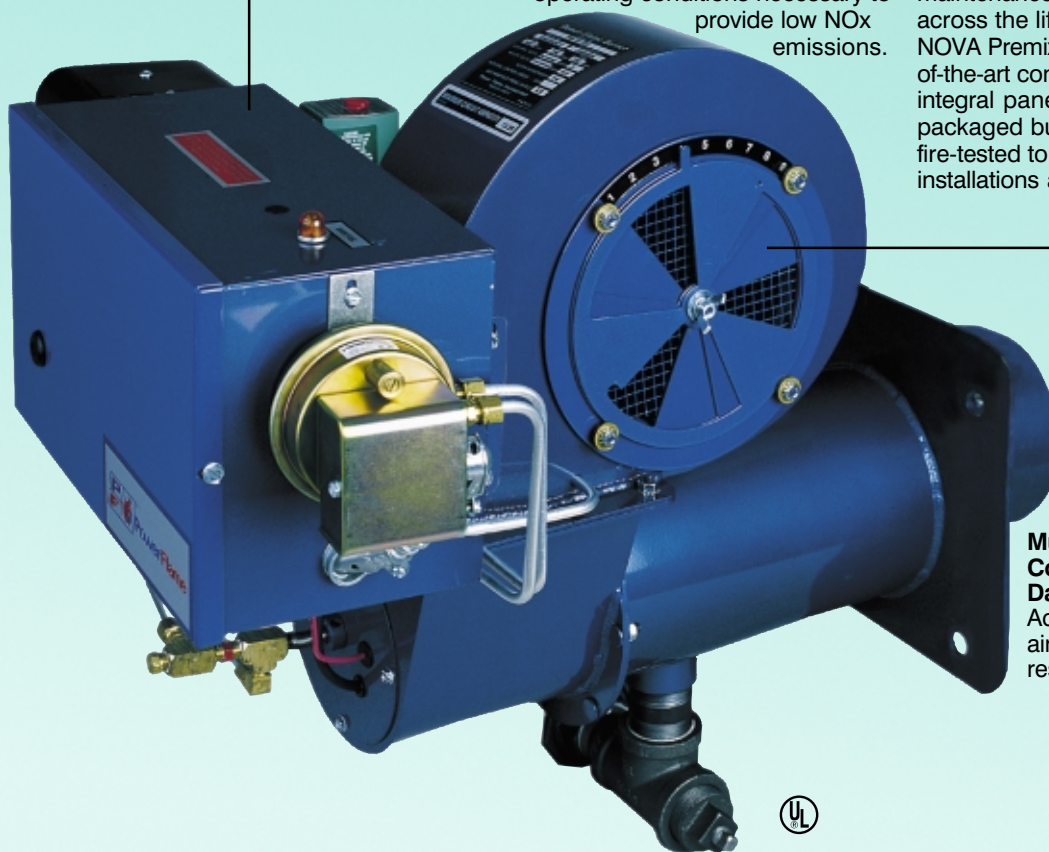
Totally Enclosed Control Cabinet
Protection with easy access to burner
operating controls

The Power Flame NOVA Premix™ employs a fully premixed, high swirl stabilized combustion technology to provide proven low NOx solutions - **Sub 30 PPM** - without the use of FGR for commercial, industrial and process applications. Sub 20 PPM operation, at slightly higher excess air levels, can be achieved on many applications. Premixing fuel and air assures complete combustion with minimal levels of CO and unburned hydrocarbons. The unique stainless steel high swirl diffuser guarantees reliable and consistent performance at the operating conditions necessary to provide low NOx emissions.

The NOVA Premix is a simple, cost effective, field proven system designed to meet today's most stringent emissions requirements.

Power Flame provides a U.L. listed, factory tested package tailored to your job specific requirements. The NOVA Premix is suitable for use on all types of boiler and other heat exchanger applications. It will operate with uniform heat flux and excellent flame stability over a broad range of operating conditions.

The modular concept that is the basis for all Power Flame burners keeps the initial investment low and maintenance costs at a minimum across the life of the burner. The NOVA Premix is fitted with a state-of-the-art control system and integral panel. All Power Flame packaged burners are factory fire-tested to ensure cost effective installations and start-ups.



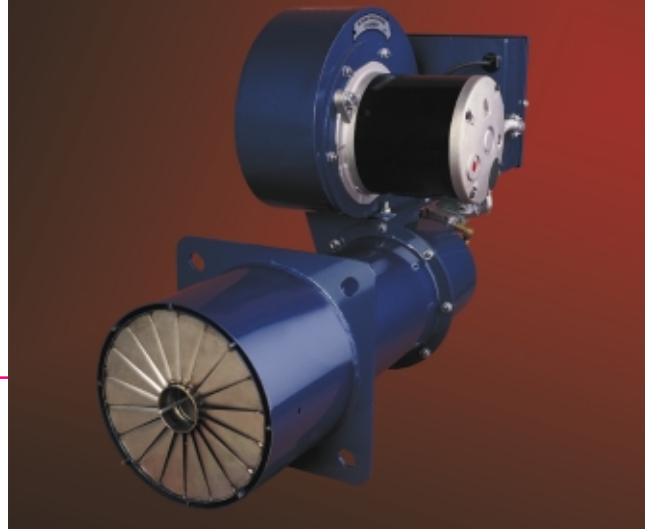
**Multi-Louvered
Combustion Air
Damper Assembly**
Accurate control of fuel-
air ratios with repeatable
results



NPM-0803

Power Flame

The Power to Manage Energy



Stainless steel diffuser provides high swirl, stabilized combustion for excellent flame stability at low Nox operating conditions

STANDARD EQUIPMENT

- 3450 RPM Motor, squirrel cage blower, cabinet with main fuel light and control switch
- Leakage test, pilot and main gas cocks
- Gas electric pilot and gas ignition transformer
- Pilot and main gas pressure regulators (14 in. W.C. inlet max)
- Flame safeguard with flame rod, intermittent pilot and prepurge
- Air safety switch

ADDED FEATURES

X-Standard O-Optional

24 Volt Flame Safeguard

On-Off diaphragm gas valve with separate gas pressure regulator

Low-Hi-Off or Low-Hi-Low with automatic air control

Modulation with automatic air control

Single valve body with dual shutoff and regulator

Dual gas safety valves(A): one (1) combination diaphragm valve with pressure regulator and one (1) auxiliary valve

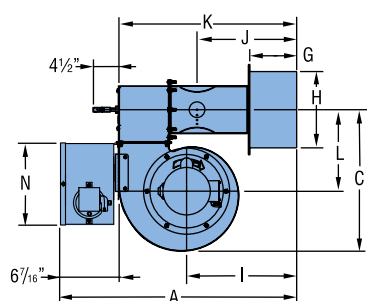
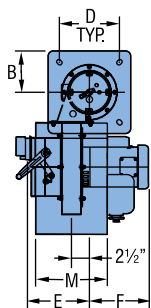
Customized control systems and accessories

	NPM 15-10-24	NPM 15-10-120	NPM 30-12-120	NPM 50-15-120
24 Volt Flame Safeguard	X	NA	NA	NA
On-Off diaphragm gas valve with separate gas pressure regulator	NA	O	O	NA
Low-Hi-Off or Low-Hi-Low with automatic air control	NA	O	O	X
Modulation with automatic air control	NA	O	O	O
Single valve body with dual shutoff and regulator	X	NA	NA	NA
Dual gas safety valves(A): one (1) combination diaphragm valve with pressure regulator and one (1) auxiliary valve	NA	X	X	NA
Customized control systems and accessories	NA	O	O	O

(A) May be replaced by one (1) proof of closure valve and a separate pressure regulator.

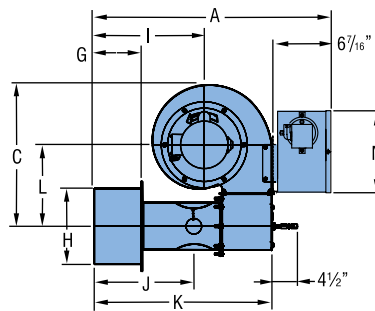
- Conforms to UL795

MODEL NPM

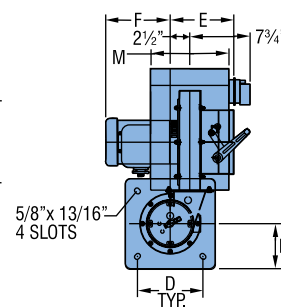


Add 3/8" to "H" for opening in heat exchanger front plate.

MODEL NPMR (For low centerline applications)



Add 3/8" to "H" for opening in heat exchanger front plate.



DIMENSIONS (Inches) Standard Models.

RATINGS & SPECIFICATIONS

Burner Model	A	B	C	D	E	F	G	H	I	J	K	L	M	N	CAPACITY ¹		Blower Motor H.P. (3450 RPM)	Gas Pressure Required (In. W.C.) ²
	Max. MBH ¹	Nominal Boiler H.P. Max.																
NPM15-10-24	28 ¹ / ₈	4 ⁵ / ₈	14 ¹ / ₈	7 ¹ / ₈	10 ¹ / ₄	10	6	6	15	12 ¹ / ₂	21 ³ / ₄	8 ³ / ₈	11	7	850	20.2	1/4	6.8
NPM15-10-120	28 ¹ / ₈	4 ⁵ / ₈	14 ¹ / ₈	7 ¹ / ₈	10 ¹ / ₄	10	6	6	15	12 ¹ / ₂	21 ³ / ₄	8 ³ / ₈	15	9 ¹ / ₈	850	20.2	1/4	6.7
NPM30-12-120	28 ¹ / ₄	4 ⁵ / ₈	16 ⁷ / ₈	7 ¹ / ₈	10 ¹ / ₄	10	6	8	13 ⁵ / ₈	12 ³ / ₄	21 ³ / ₄	9 ³ / ₄	15	9 ¹ / ₈	1,260	30.0	1/2	8.2
NPM50-15-120	29 ¹ / ₄	5 ³ / ₄	18 ¹ / ₈	8 ³ / ₈	10 ¹ / ₄	10	6	10	14 ¹ / ₈	12 ³ / ₄	22 ³ / ₄	10 ³ / ₈	15	9 ¹ / ₈	2,200 ³	52.4	1	11.6

1. Capacities listed are based on 0.20" W.C. positive pressure. Derate capacities approximately 5% for each +0.50" W.C. combustion chamber pressure.
2. At inlet to main manual shutoff cock to obtain P/F certified ratings with standard U.L. gas train. Optional gas trains available for lower pressures.
3. Sub 30 PPM at maximum rate subject to furnace pressure.



Power Flame Incorporated

2001 South 21st Street Phone 620-421-0480
Parsons, KS 67357 Fax 620-421-0948

Web Site: <http://www.powerflame.com>

E-Mail: csd@powerflame.com

Copyright © Power Flame Incorporated 2003 Printed in U.S.A.